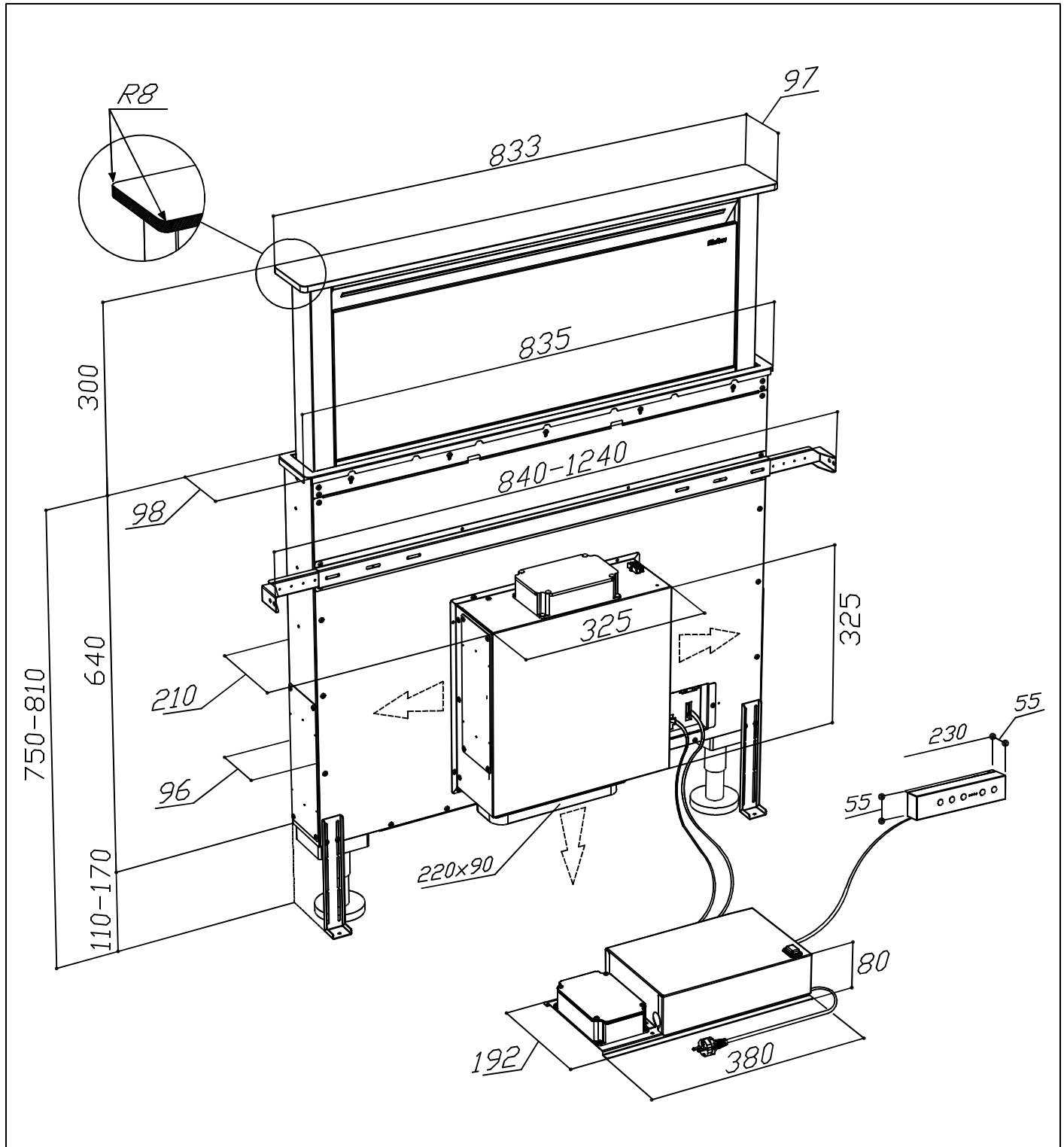


# SDD22 STONE

*Slim motor on board*



Rectangular opening: 100x837/1137 (mm)

